



## Sunbrite Product Gallery

COMPLETE SOLID STATE, ENERGY EFFICIENT LIGHTING SOLUTIONS

### 1156 Bayonet Base, Single Contact, 3 LEDs

#### Applications

- Warning Lamps and Indicators
- Dome/Interior Light
- Alarm Lights - Marker/Park Lights

#### Features\Benefits

- Large Range of Voltages Available
- Other Colors Available
- Low Power Consumption
- Drop in Incandescent Replacement
- Vibration Resistant



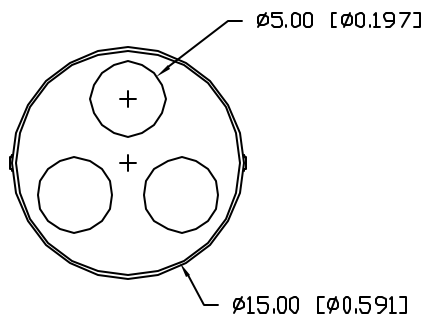
[Product Gallery](#) > [Traffic and Automotive](#) > [1156 Bayonet Base, Single Contact, 3 LEDs](#)

Part Numbers:	Emitted Color	Wavelength (nm)	Material	Unit LED Intensity mCD per die @ 20mA (If)(Typical)	Fwd. Voltage	Standard Common Pin
<a href="#">SSP-03TB92UP12</a>	Ultra Green	525	InGaN/SiC	3,700	12	BA15S / 1156
<a href="#">SSP-03TB93S12</a>	Super Yellow	590	AlInGaP	3,500	12	BA15S / 1156
<a href="#">SSP-03TB96U12</a>	Ultra Red	626	AlInGaP	4,600	12	BA15S / 1156
<a href="#">SSP-03TB97U12</a>	Super Blue	470	InGaN/SiC	3,000	12	BA15S / 1156
<a href="#">SSP-03TB9912</a>	Ultra White	-	InGaN/SiC	7,000	12	BA15S / 1156

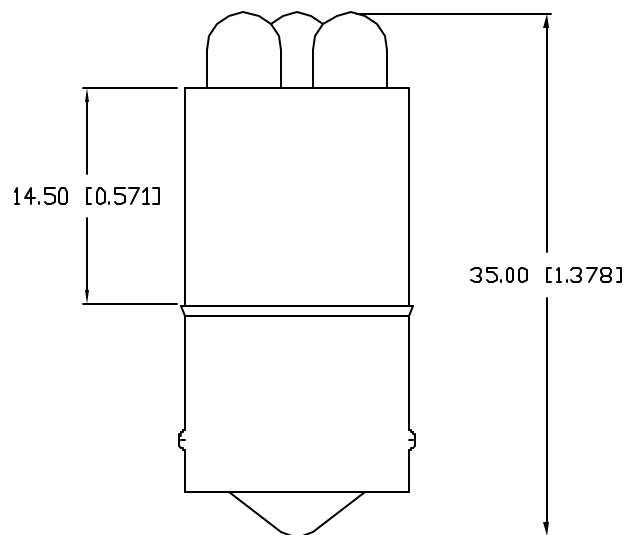
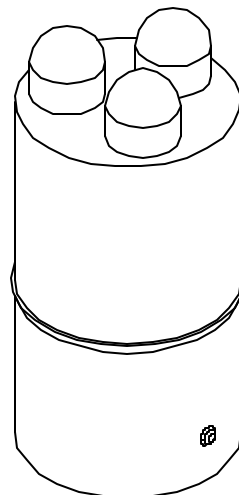
UNCONTROLLED DOCUMENT

PART NUMBER  
SSP-03TB92UP12

REV.



CAUTION: STATIC SENSITIVE DEVICE  
FOLLOW PROPER E.S.D. HANDLING PROCEDURES  
WHEN WORKING WITH THIS PART.



ELECTRO-OPTICAL CHARACTERISTICS  $T_A=25^{\circ}\text{C}$   $V_f=12\text{V}$

PARAMETER	MIN	TYP	MAX	UNITS	TEST COND
PEAK WAVELENGTH		525		nm	
FORWARD VOLTAGE		12.0	14.0	$V_f$	
REVERSE VOLTAGE	5.0			$V_r$	$I_r=100\mu\text{A}$
AXIAL INTENSITY		3700		mcd	$V_f=12\text{V}$
VIEWING ANGLE		30		2x theta	
EMITTED COLOR:	SUPER GREEN				
EPOXY LENS FINISH:	WATER CLEAR LENS				

LIMITS OF SAFE OPERATION AT  $25^{\circ}\text{C}$  PER MODULE

PARAMETER	MAX	UNITS
PEAK FORWARD VOLTAGE	14	V
STEADY CURRENT	60	mA
POWER DISSIPATION	105	mW
DERATE FROM $25^{\circ}\text{C}$	-1.2	mW/ $^{\circ}\text{C}$
OPERATING, STORAGE TEMP.	-40 TO +85	$^{\circ}\text{C}$

\*UNLESS OTHERWISE SPECIFIED TOLERANCES PER DECIMAL PRECISION ARE: X=±1 (±0.039), X.X=±0.5 (±0.020), X.XX=±0.25 (±0.010), X.XXX=±0.127 (±0.005), LEAD SIZE=±0.05 (±0.002), LEAD LENGTH=±0.75 (±0.030), MIN= <sup>+DECIMAL PRECISION</sup> <sub>-0.00</sub> MAX= <sup>+0.00</sup> <sub>-DECIMAL PRECISION</sub>

UNCONTROLLED DOCUMENT

REV.

PART NUMBER

SSP-03TB92UP12

LED S.C. BAYONET LAMP, GREEN.

CONFIDENTIAL INFORMATION

THE INFORMATION CONTAINED IN THIS DOCUMENT IS THE PROPERTY OF SUNBRITE LEDS. EXCEPT AS SPECIFICALLY AUTHORIZED IN WRITING BY SUNBRITE LEDS, THE HOLDER OF THIS DOCUMENT SHALL KEEP ALL INFORMATION CONTAINED HEREIN CONFIDENTIAL AND SHALL PROTECT SAME IN WHOLE OR IN PART FROM DISCLOSURE AND DISSEMINATION TO ALL THIRD PARTIES.

RELIABILITY NOTE

DUR MANY YEARS OF EXPERIENCE DATA ACCUMULATION INDICATE THAT SOLDER HEAT IS A MAJOR CAUSE OF EARLY AND FUTURE FAILURE. PLEASE PAY ATTENTION TO YOUR SOLDERING PROCESS.



DRAWN:  
BC

CHECKED:

APPROVED:

DATE:

PAGE: 1 OF 1